

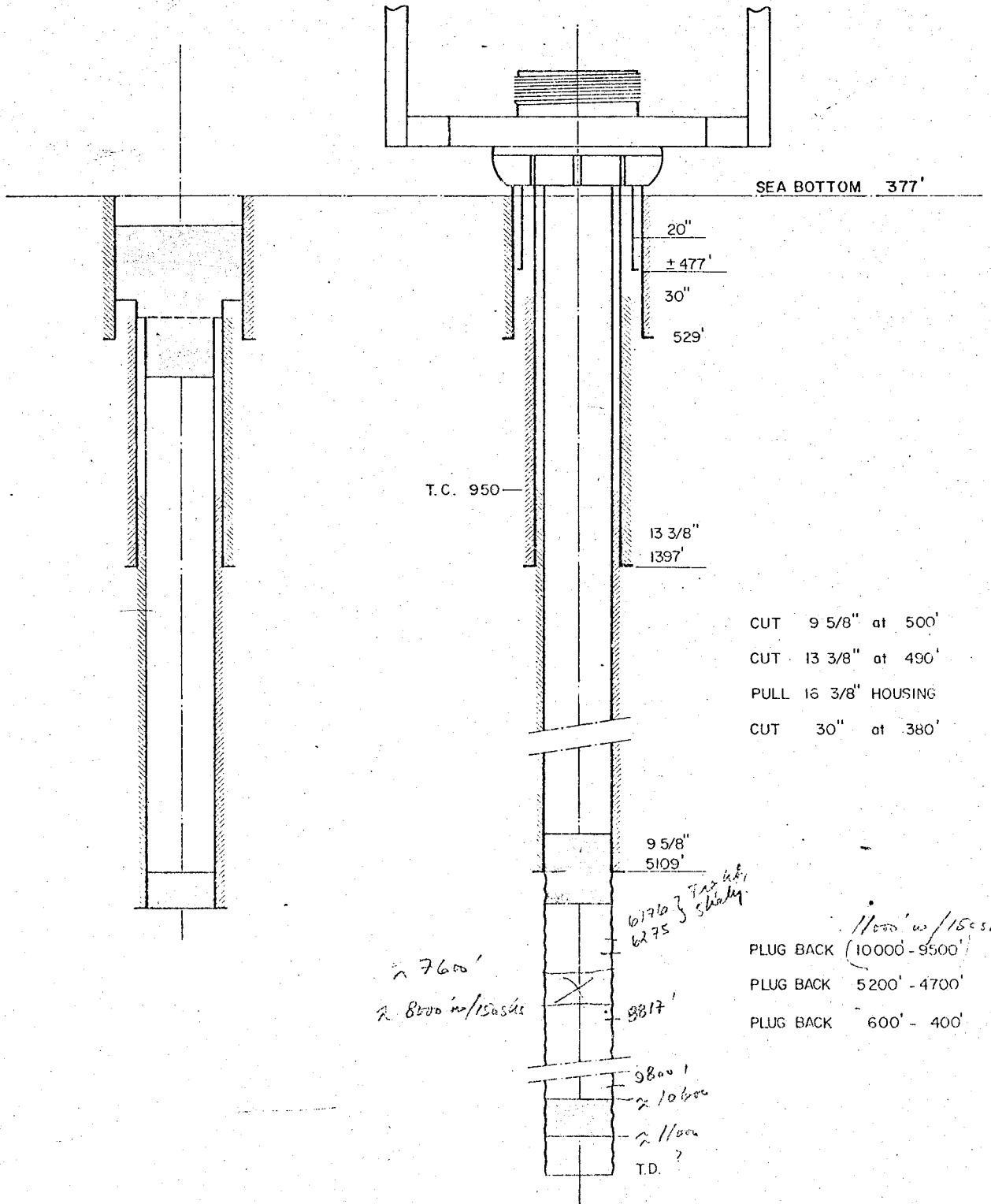
ID/OLJE  
 00261-20.2.85  
 SAKSB: ARKIV:

# A/S NORSKE SHELL

## ABANDONING PROGRAMME

17/10 - 1

ALL DEPTHS - B.D.F.



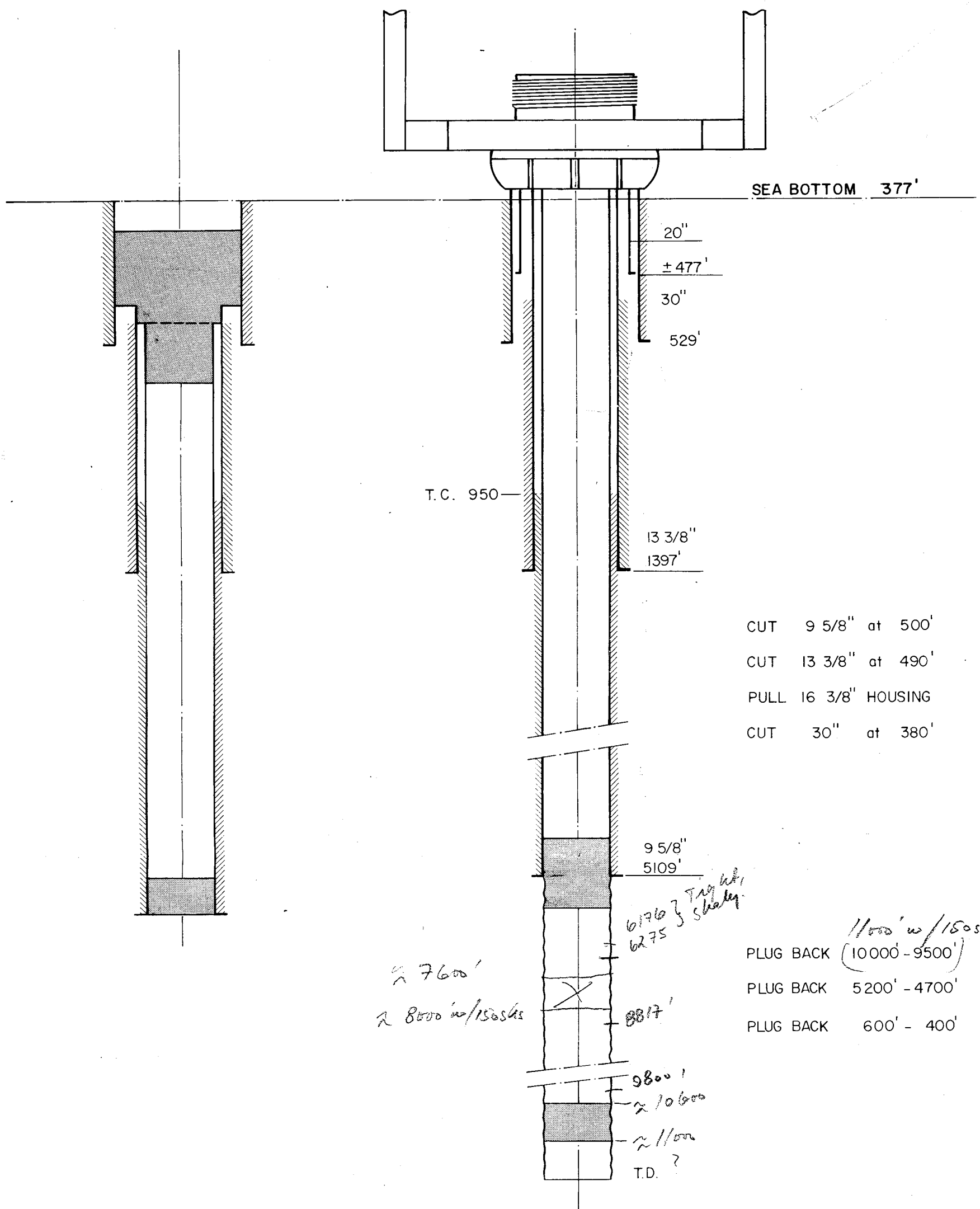
ID/OLJE  
 00201 \*23.2.89  
 SAKSB: ARKIV:

# A/S NORSKE SHELL

## ABANDONING PROGRAMME

17/10 - 1

ALL DEPTHS - B.D.F.



- CUT 9 5/8" at 500'
- CUT 13 3/8" at 490'
- PULL 16 3/8" HOUSING
- CUT 30" at 380'

- PLUG BACK (10000' - 9500') *11000' w/150 sks.*
- PLUG BACK 5200' - 4700'
- PLUG BACK 600' - 400'

*~ 7600'*  
*~ 8000' w/150 sks*

*6176 } T.M. w/1  
 6275 } Skelly*

*9800'*  
*~ 10000'*  
*~ 11000'*  
 T.D. ?